

# 3 INCH 'S' SERIES SELF-PRIMING CENTRIFUGAL PUMP

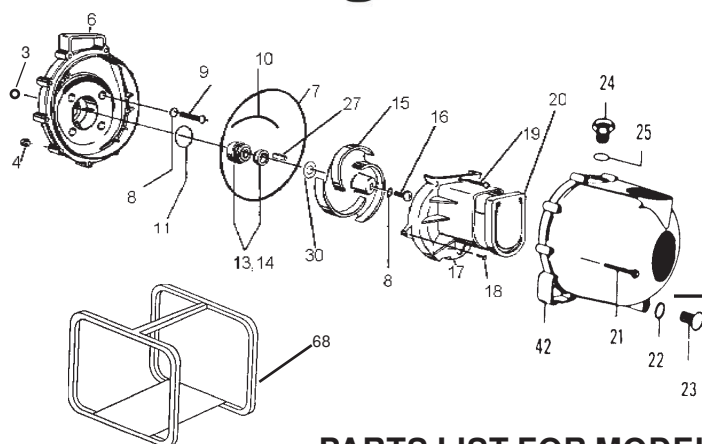


## CARING FOR PACER PUMPS:

When handling agricultural fertilizer and chemicals, flush pump with fresh clean water immediately after use. Before storing pump, **flush** with fresh clean water and **drain** completely.

EPDM rubber components **are not compatible** with petroleum products. **Do not** use petroleum products when preparing pump for storage.

- Housing, volute and impeller: glass-reinforced polyester.
- Rubber parts: EPDM
- Shaft seal: Stainless steel with carbon and ceramic faces, EPDM fitted.
- Hardware: Internal and external stainless steel fasteners
- Working pressure: To 54 psi
- Flow: To 290 GPM



## PARTS LIST FOR MODELS SE3ZL & SE3XL E8ICP

REF. NO.	DESCRIPTION	QUANTITY / PUMP	SE3ZL E8ICP PART NO.	SE3XL E8ICP PART NO.
3	Shim, Bracket	As Required	P-58-1244 91 (.015)	P-58-1244 91
			P-58-1244 93 (.060)	P-58-1244 93
4	Body Nut	10	P-58-0721 10	P-58-0721 10
6	Bracket	1	P-58-0703 30B	P-58-0703 30B
7	O-Ring, Body	1	P-58-0719 72	P-58-0719 72
8	O-Ring, Screw	5	P-58-0717 72	P-58-0717 72
9	Screw, Bracket	4	P-58-0715 10	P-58-0715 10
10	O-Ring, Segment	1	P-58-0754 72	P-58-0754 72
11,13 & 14	Shaft Seal & O-Ring	1	P-58-0714 12	P-58-0714 12
15	Impeller	1	P-58-8975 30	P-58-8706 30
16	Screw, Impeller	1	P-58-1668 10	P-58-1668 10
17	Volute	1	P-58-0977 30	P-58-0702 30
18	Screw, Side Volute	2	P-58-0725 10	P-58-0725 10
19	Screw, Top Volute	1	P-58-0997 10	P-58-0771 10
20	Check Valve	1	P-58-0705 72	P-58-0705 72
21	Screw, Body	10	P-58-0720 10	P-58-0720 10
22	O-Ring, Drain Plug	1	P-58-1009 72	P-58-1009 72
23	Drain Plug	1	P-58-0723 30	P-58-0723 30
24	Filler Plug	1	P-58-0722 30B	P-58-0722 30B
25	O-Ring, Filler Plug	1	P-58-0765 72	P-58-0765 72
27	Key	1	P-58-0718 10	P-58-0718 10
30	Shim, Impeller	As Required	P-58-46338 10 (.015)	P-58-46338 10
42	Body	1	P-58-0755 30B	P-58-0755 30B
68	Roll Cage	1	P-58-0009	P-58-0009

Note: This parts list is intended for EPDM fitted pumps only.