

**RUNS DRY — SEAL-LESS AND BEARING-LESS
GOOD FOR:**

**ACIDS / CAUSTICS / CLEANERS
CHEMICALS / PCB / PLATING
WATER / WASTE WATER**

- Flows to 80 U.S. GPM or 68 ft. TDH @ 60 Hz (252 LPM or 14.4m @ 50 Hz)
- Non-metallic solution contact
 - CPVC
 - Polypropylene
 - PVDF
- EPDM or Viton® elastomers
(See Chemical Resistance Chart)
- Runs dry — seal-less, no bearings, bushings, spindles or liners to replace
- Centrifugal — quiet, vibration-free
In-tank or out-of-tank
- Injection molded construction
- Shaft vapor seal protects motor bearings and atmosphere
- Standard 56C motors used on models OL75, OL100, OL125
- Will replace similar OEM pumps

The **Series 'O' Vertical Pump** features a cantilevered sleeved stainless steel shaft which eliminates bearings and seals, resulting in a pump that can run dry without damage. A vapor seal between the rotating shaft and the support column protects the motor. The compound impeller prevents liquid from rising in the column, even at maximum TDH, while the semi-enclosed bottom impeller provides efficient flow performance at low horsepower.

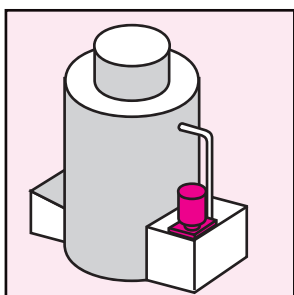
Standard models are injection molded of polypropylene, CPVC or PVDF. All models include mounting plate, vapor seal, Viton suction "O"-ring, stainless steel shaft and fasteners. Available as Pump End Only, or with 3450 RPM 56C TEFC motor. The OL75, OL100 and OL125 pump end only models include shaft and fasteners for standard 56C motors.



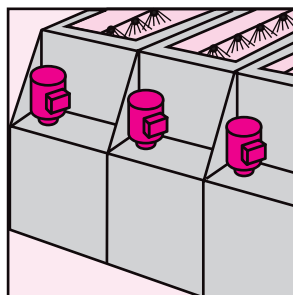
**OL50V
OL75V**



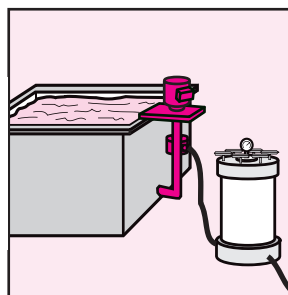
**OL100V
OL125V**



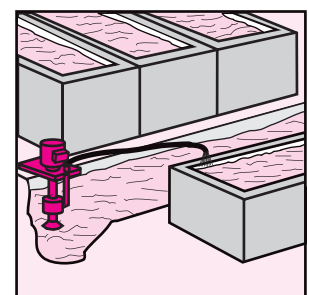
FUME SCRUBBING



PCB WET PROCESSING

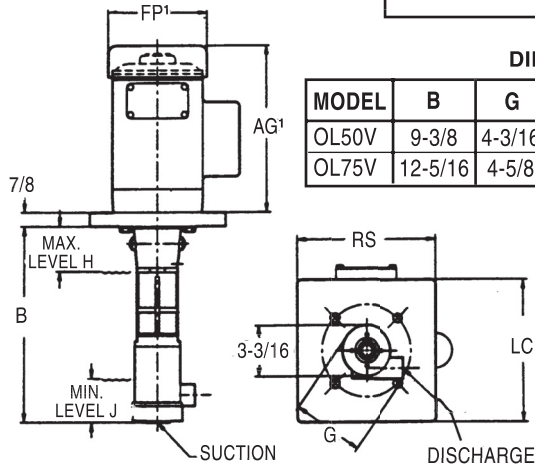


**OUT-OF-TANK PUMPING
& FILTRATION**



**SUMP DRAINING & WASTE
TREATMENT**

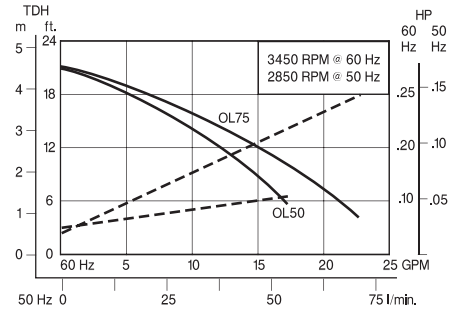
MODELS OL50V and OL75V



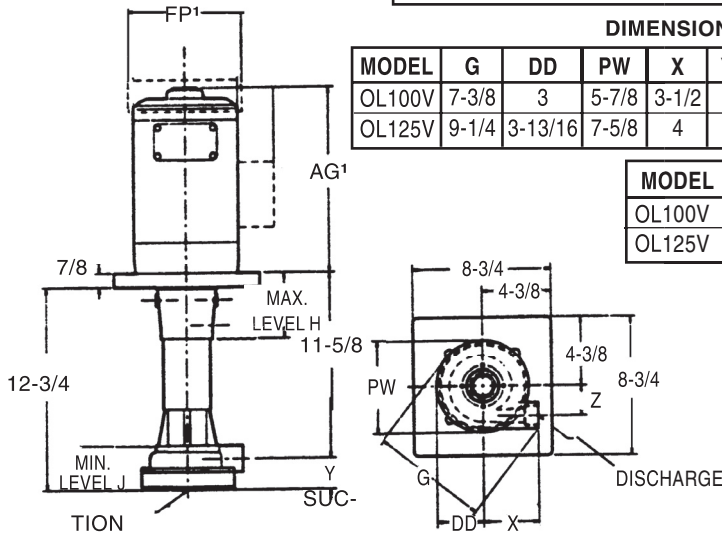
DIMENSIONS (inches)

MODEL	B	G	RS	LC	AG ¹	FP ¹	H	J
OL50V	9-3/8	4-3/16	5	7-3/4	5-15/16	4	1-1/2	2-1/4
OL75V	12-5/16	4-5/8	9	9	8-1/4	6-1/8	3-1/16	2-3/4

MODEL	SUCT.	DISCH.
OL50V	1" NPT	1/2" NPT
OL75V	1" NPT	3/4" NPT



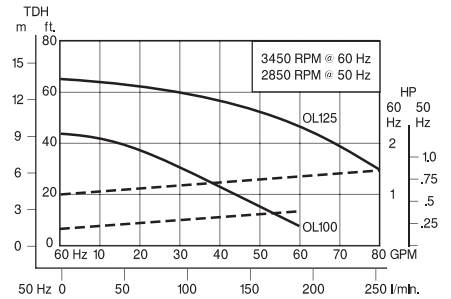
MODELS OL100V and OL125V



DIMENSIONS (inches)

MODEL	G	DD	PW	X	Y	Z	H	J	AG ¹	FP ¹
OL100V	7-3/8	3	5-7/8	3-1/2	2	1-7/8	4-1/8	2-13/16	11-1/4	7-1/4
OL125V	9-1/4	3-13/16	7-5/8	4	2	2-5/8	4-1/8	3-5/8	12	7-1/4

MODEL	SUCTION	DISCH.
OL100V	1-1/4" NPT	1" NPT
OL125V	1-1/2" NPT	1-1/4" NPT



TO ORDER, use Price Code Number

PRICE CODE NUMBER			TEFC motor ² HP / Ø / Max. S.G.	Pump End Only	SHIPPING WEIGHT (lbs.)	
POLYPROPYLENE (pump & motor)	CPVC (pump & motor)	PVDF (pump & motor)			pump & motor	pump end only
62-OL50VPP-C.2	62-OL50VCP-C.2	62-OL50VPF-C.2	.2 / 1 / 1.4	Change	12	4
62-OL75VPP-C.3	62-OL75VCP-C.3	62-OL75VPF-C.3	.3 / 1 / 1.3	Price Code	37	9
62-OL100VPP-C.75	62-OL100VCP-C.75	62-OL100VPF-C.75	.75 / 1 / 1.3	Number suffix	41	13
62-OL125VPP-D1.5	62-OL125VCP-D1.5	62-OL125VPF-D1.5	1.5 / 3 / 1.0	to -PEO	50	15
62-OL125VPP-D2.0	62-OL125VCP-D2.0	62-OL125VPF-D2.0	2.0 / 3 / 1.15		52	15

MOTORS - TEFC, 56C, 3450 RPM.

HP	PRICE CODE NUMBER		SHIP. WT. (lbs.)
	115-230V/1/60 ⁵	230-460V/3/60 ⁵	
.2 ³	62-1554	N/A	8
.3	62-1219	62-1689	28
.5	62-1226	62-1230	22
.75	62-1233	62-1237	28
1	62-1240	62-1244	29
1.5	62-1247	62-1251	35
2	62-1254	62-1258	37
3	N/A	62-1263	50

- Motor dimensions are to be used for reference only. Dimensions will vary by motor and make.
- Models OL75, OL100 & OL125 in 115-230V/1/60 or 230-460V/3/60
Model OL50, 115-230V/1/50-60 only
- Not 56C, integral motor shaft. (OL50V only)
- Viton is standard. To order EPDM, enter Option Number 62-0500 as separate line item.
- For 110-220V/1/50 or 220-380-440V/3/50 motor, add -5 to Price Code Number.

SUCTION "O"-RINGS

PUMP MODEL	PRICE CODE NUMBER	
	EPDM ⁴	Viton
OL50V	62-8122 EP	62-8122-VN
OL75V	62-8122 EP	62-8122-VN
OL100V	62-8123 EP	62-8123-VN
OL125V	62-8128 EP	62-8128-VN
Lock Down "O"-rings		
OL100V & OL125V	62-8138 EP	62-8138-VN

PURGE CAP

Polypropylene purge cap available for models OL50VPP & OL50VPF only.
Use Price Code Number 62-8112PP