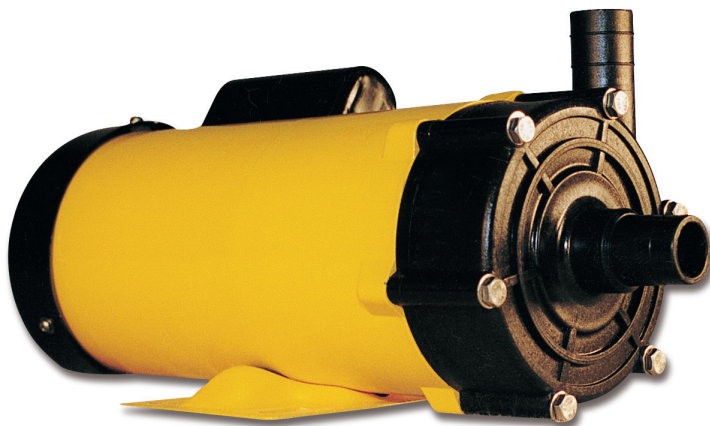


MAGNETIC COUPLED SEAL-LESS CENTRIFUGAL PUMPS

MOLDED NON-METALLIC CORROSION RESISTANT MATERIALS



- **CASING & IMPELLER**
Polypropylene (glass fiber filled)
ETFE (carbon fiber filled)
- **INTERNALS**
Alumina-ceramic
Rulon[®]
Viton[®] or EPDM O-ring
- **Max Flow 29 GPM, 110 LPM**
Max TDH 62 FT, 19 M
- **Seal-less Pump** provides zero leakage & low friction for energy efficiency
- **High Efficiency Closed Impellers** providing vibration free operation
- **Compact Pump & Motor Design** with powerful permanent magnets for highly efficient transmission

Pumps can be constructed to accommodate a wide variety of applications such as, photo-processing, water & waste treatment, semiconductor, industrial chemical processing, high purity DI & RO water, paper & pulp chemical processing, fume scrubbing and plating to name a few.

SPECIFICATION TABLE

SERIES	CONNECTIONS		PERFORMANCE 3450 RPM @ 60 Hz					
	HOSE inches	MNPT inches	CURVE	MAX GPM	MAX TDH	AMPS	WATTS	HP
X200	1 x 1	1 x 1	X200 (A)	24	36	3.2	150	1/5
X200	1 x 1	1 x 1	X200 (D)	13.5	62	3.2	150	1/5
X250	1 x 1	1 x 1	X250 (A)	29	50	4.5	250	1/3

Impellers can be trimmed for higher S.G. solutions
See reverse side for dimensions & flow curves

Specifications subject to change without notice

F.O.B. Lancaster, Pennsylvania

PACER[®] PUMPS

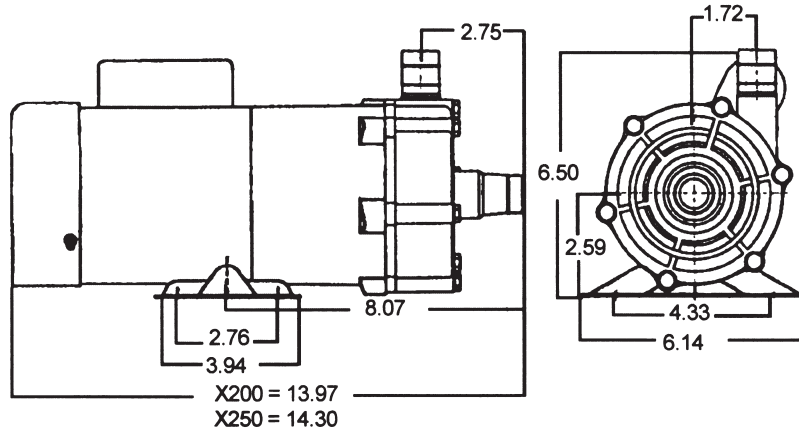
Division of ASM Industries, Inc.

41 Industrial Circle 717-656-2161
Lancaster, PA 17601-5927 U.S.A. 800-233-3861
Email: sales@pacerpumps.com FAX: 717-656-0477
www.pacerpumps.com

DISTRIBUTED BY

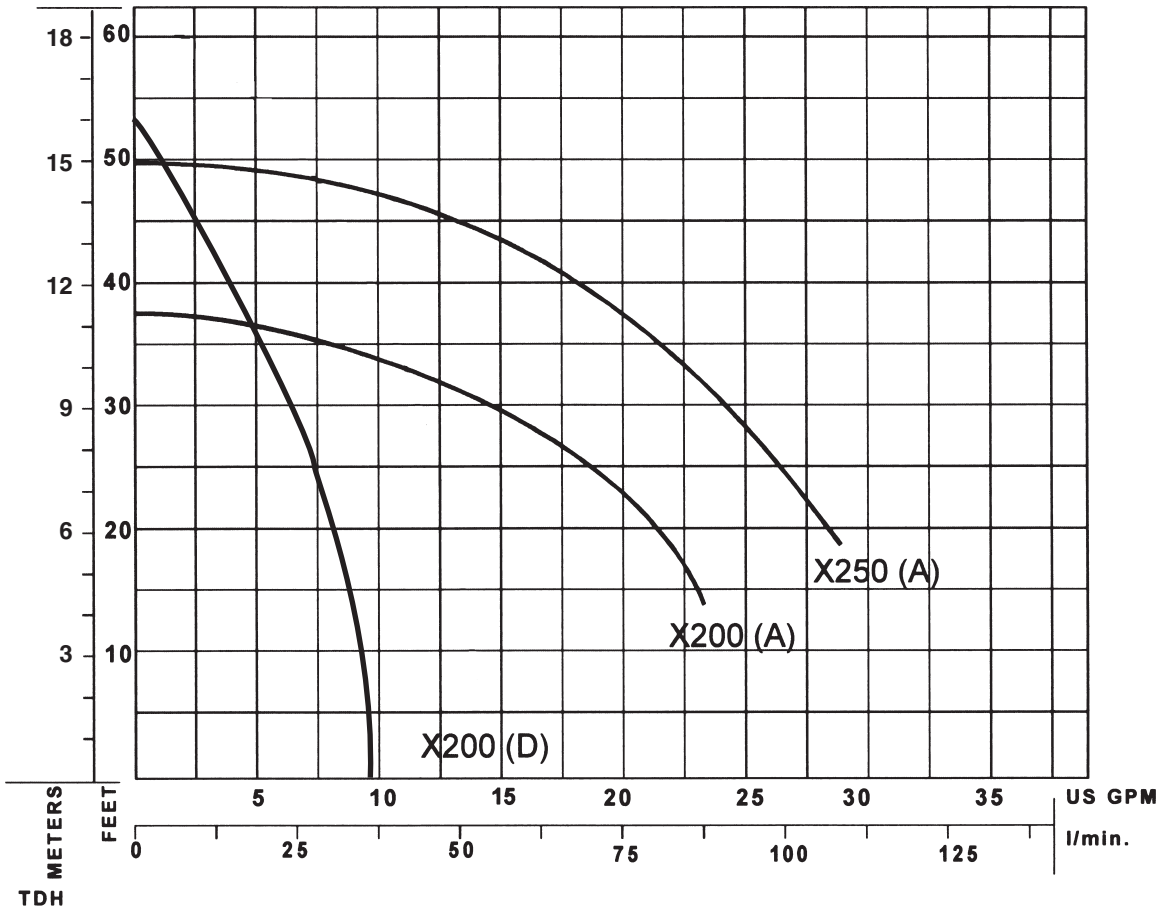
DIMENSIONS IN INCHES

SERIES X200, X250 (hose)



PERFORMANCE SERIES X200, X250

3450 RPM



Impellers can be trimmed for higher S.G. solutions.
Specifications subject to change without notice.

Performance based on a water-like liquid at 1.0 S.G.