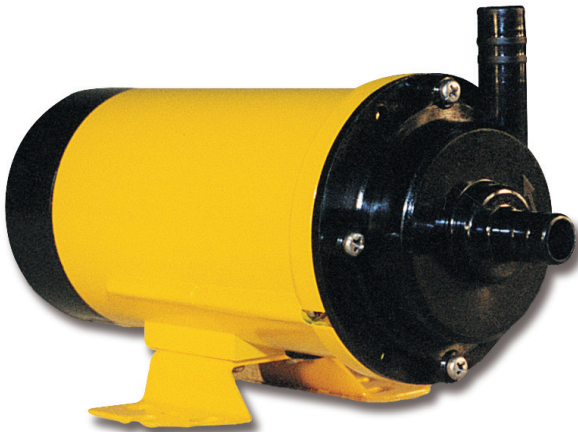
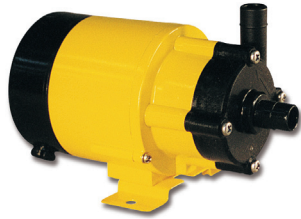


SERIES X5, X10 & X30

MAGNETIC COUPLED SEAL-LESS CENTRIFUGAL PUMPS

MOLDED NON-METALLIC CORROSION RESISTANT MATERIALS



- **CASING & IMPELLER**
Polypropylene (glass fiber filled)
PVDF (natural)
ETFE (carbon fiber filled)
- **INTERNALS**
Alumina-ceramic, Ryton[®]
Rulon[®]-Teflon[®] or SiC
Viton[®] or EPDM O-ring
- **Max Flow 3.6 GPM, 13.6 LPM**
Max TDH 8.8 FT, 2.7 M
- **Seal-less Pump** provides zero leakage & low friction for energy efficiency
- **High Efficiency Closed Impellers** providing vibration-free operation
- **Compact Pump & Motor Design** with powerful permanent magnets for highly efficient transmission

Pumps can be constructed to accommodate a wide variety of applications such as, photo-processing, water & waste treatment, semiconductor, industrial chemical processing, high purity DI & RO water, paper & pulp chemical processing, fume scrubbing and plating to name a few.

SPECIFICATION TABLE

SERIES	CONNECTIONS		PERFORMANCE 3450 RPM @ 60 Hz					
	HOSE inches	MNPT inches	CURVE	MAX GPM	MAX TDH	AMPS	WATTS	HP
X5	1/2 × 1/2	1/2 × 1/2	X5 (B)	2.1	4.8	.15	2.5	1/300
X5	1/2 × 1/2	1/2 × 1/2	X5 (E)	2.4	6.7	.22	5	1/150
X10	1/2 × 1/2	1/2 × 1/2	X10 (B)	2.6	5.8	.22	5	1/150
X30	1/2 × 1/2	3/4 × 3/4	X30 (B)	3.6	8.8	.30	10	1/75

See reverse side for dimensions & flow curves

Specifications subject to change without notice

F.O.B. Lancaster, Pennsylvania

PACER[®] PUMPS

Division of ASM Industries, Inc.

41 Industrial Circle 717-656-2161

Lancaster, PA 17601-5927 U.S.A. 800-233-3861

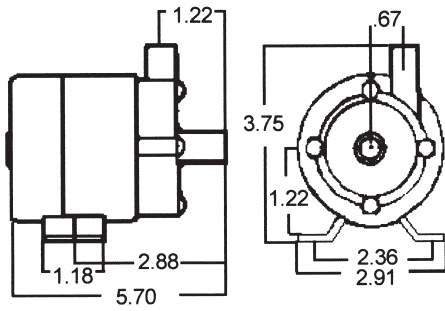
Email: sales@pacerpumps.com FAX: 717-656-0477

www.pacerpumps.com

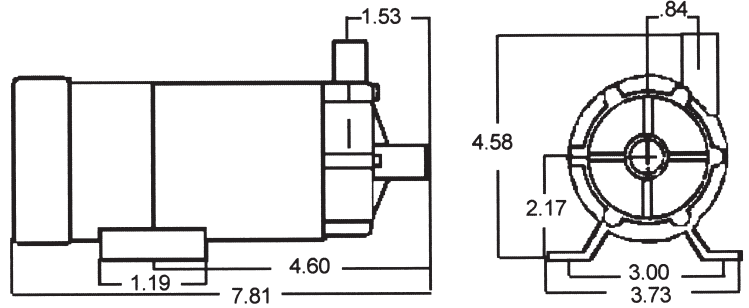
DISTRIBUTED BY

DIMENSIONS IN INCHES

SERIES X5, X10 (hose)



SERIES X30 (hose)



PERFORMANCE SERIES X5, X10 & X30

3450 RPM

