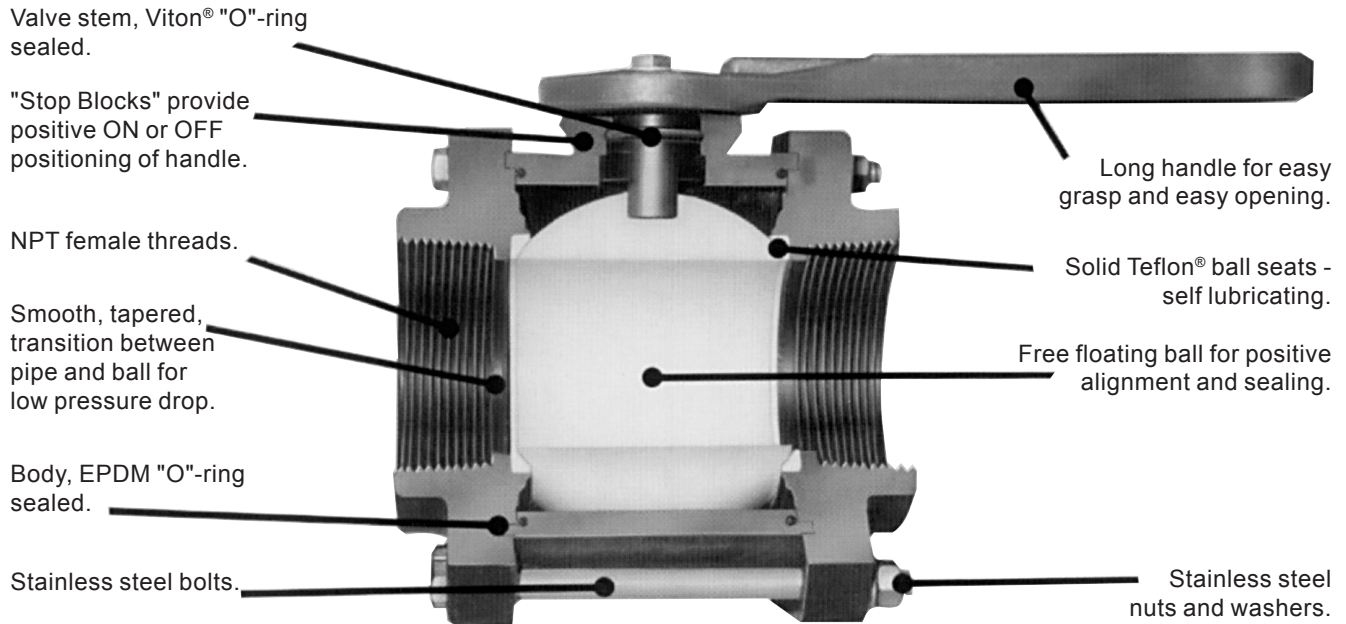




CAMELOT[®] FULL PORT BALL VALVES

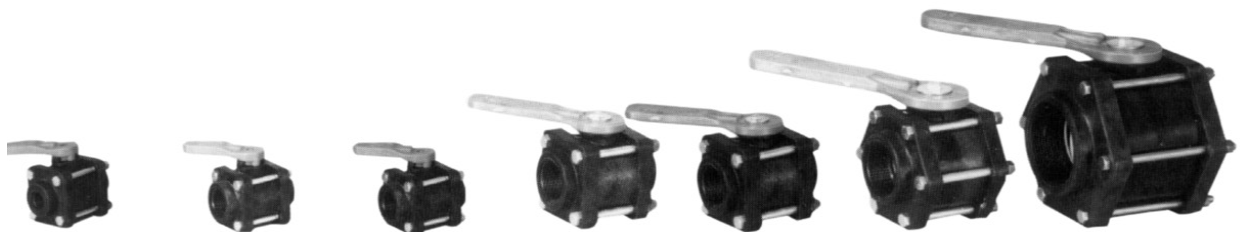
BULLETIN
PA-212H
March.2019

CAMELOT Sure Hold ball valves are molded of glass filled polypropylene. The end caps and valve stem are also glass reinforced for extra strength. Polypropylene has outstanding corrosion resistance to a broad range of chemicals. Consult our corrosion resistance chart for specific recommendations or call us at our home office for assistance. Note the features a CAMELOT ball valve gives you:



All valves are full port for full flow.

Maximum service conditions for CAMELOT ball valves:
100 psi @ 0°F 125 psi @ 70°F 70 psi @ 150°F



Size:	1/2"	3/4"	1"	1 1/4"	1 1/2"	2"	3"
Part No.	58-1901V	58-1902V	58-1903V	58-1904V	58-1905V	58-1906V	58-1907V

Registered Trademarks: Viton - DuPont Dow Elastomers, Teflon - DuPont

F.O.B. Lancaster, PA

**Prices and specifications subject to change without notice.*

PACER[®] PUMPS

41 Industrial Circle
Lancaster PA 17601-5927
www.pacerpumps.com

800-233-3861
717-925-8240
Fax: 717-925-8242

Email: sales@pacerpumps.com