



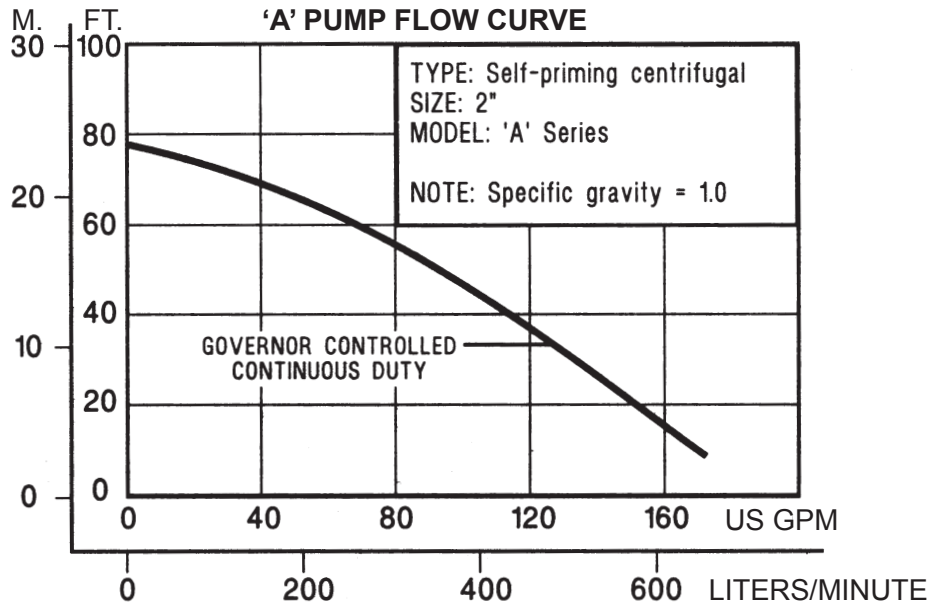
# SELF-PRIMING CENTRIFUGAL PUMPS

## 'A' Series



### FEATURES:

- Corrosion resistant polyester pump. (Polypropylene is optional)
- Capacities to 166 US GPM. (628 LPM)
- Total head to 80 feet. (24.4 meters)
- Self-priming to 20 feet. (6.1 meters)
- 2" NPT female ports. (Polyester also available with 2" BSP threaded ports)
- Built-in check valve.
- EPDM rubber parts are standard, Buna-N and Viton® are also available.
- Available gasoline engines ranging from standard to commercial duty.
- Electric and hydraulic motors are available as optional drive choices. (Consult factory)



### PUMP SPECIFICATIONS

MODEL	PORT SIZE	MAX. FLOW	MAX. TDH	ENGINE	MAX. S.G.	WT.
AE2WL E550	2" NPT	166 GPM	80 ft.	B&S Series 550*	1.2	40 lbs.
AE2WL E950	2" NPT	166 GPM	80 ft.	B&S Series 950*	1.5	50 lbs.
AE2WL E5HC	2" NPT	166 GPM	80 ft.	Honda GX 160*	1.5	50 lbs.

\* All gasoline engines are current or equivalent B&S or Honda models



41 Industrial Circle  
 Lancaster PA 17601-5927  
 www.pacerpumps.com

800-233-3861  
 717-925-8240  
 Fax: 717-925-8242

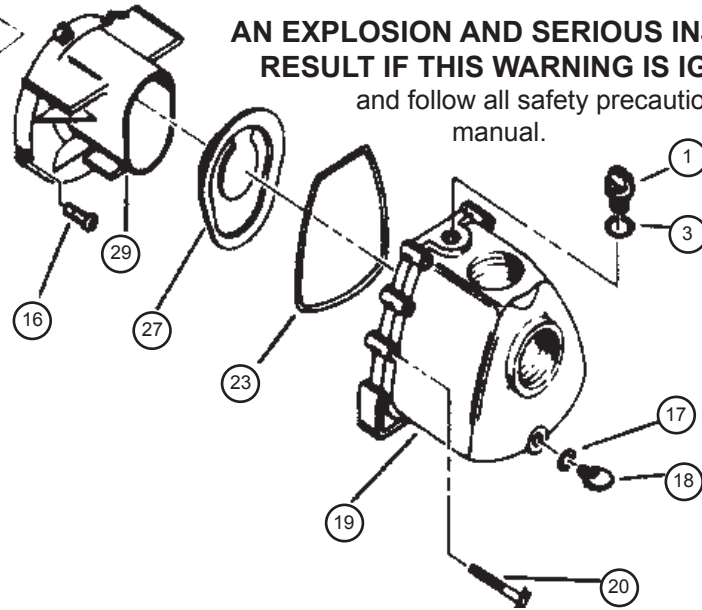
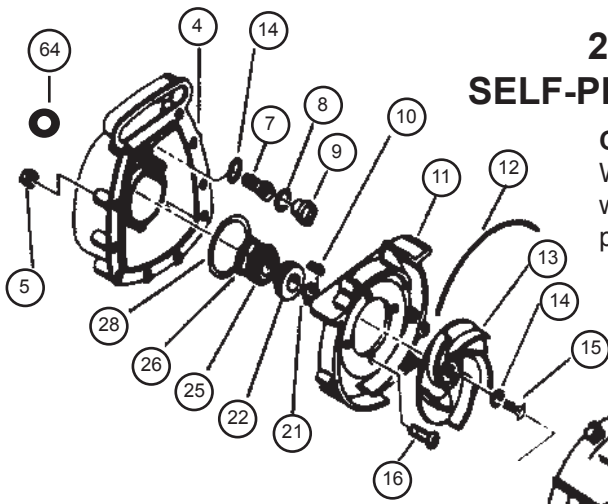
Email: sales@pacerpumps.com

## 2 INCH 'A' SERIES SELF-PRIMING CENTRIFUGAL PUMP

### CARING FOR PACER PUMPS:

When handling chemicals or corrosives, flush pump with fresh, clean water immediately after use. Before storing pump, flush and drain completely. EPDM rubber components are not compatible with petroleum products. Do not use petroleum products when preparing pump for storage. Always consult factory for chemical compatibility of both plastic and rubber components. Never use gasoline engine driven pumps for pumping flammable liquids such as gasoline.

**AN EXPLOSION AND SERIOUS INJURY MAY RESULT IF THIS WARNING IS IGNORED!** Read and follow all safety precautions in operators manual.



### PARTS LIST FOR MODEL NO. AE2WL (E550, E950 & E5HC)

REF. NO.	DESCRIPTION	QTY./PUMP	PART NO.
1	Filler Plug	1	P-58-0722 30B
3	O-ring, Filler Plug	1	P-58-0765 72
4	Bracket	1	P-58-1262 30B
5	Body Nut	10	P-58-0721 10
7	Bracket Screw	4	P-58-0715 10
10	Key	1	P-58-0718 10
11	Rear Volute	1	P-58-1302 30
12	O-ring Segment	1	P-58-1246 72
13	Impeller	1	P-58-0683 30
14	O-ring, Screw	5	P-58-0717 72
15	Impeller Screw	1	P-58-0716 10
16	Volute Screw	7	P-58-1348 10
17	O-ring, Drain Plug	1	P-58-1009 72
18	Drain Plug	1	P-58-0723 30
19	Body	1	P-58-1261 30B
20	Body Screw	10	P-58-0720 10
21	Shim	as required	P-58-0778 11 (.006)
	"	"	P-58-0778 12 (.015)
	"	"	P-58-0778 13 (.030)
22, 25 & 26	Shaft Seal & O-ring	1	P-58-0714 12
23	O-ring, Body	1	P-58-1926 72
27	Check Valve	1	P-58-1872 72
28	O-ring, Volute	1	P-58-1203 72
29	Front Volute	1	P-58-1303 30