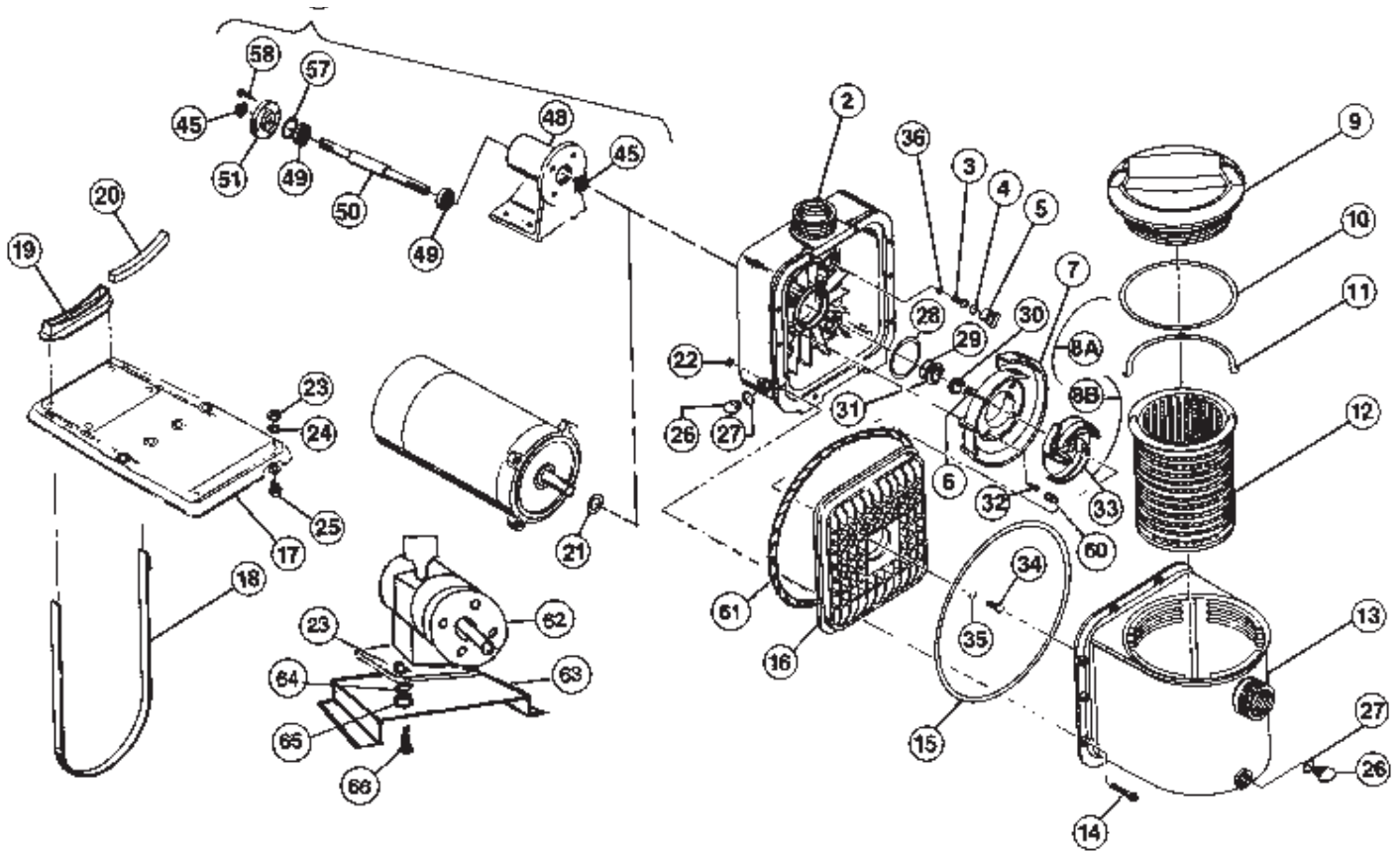


SELF-PRIMING CENTRIFUGAL PUMP SERIES "G"

EXPLODED VIEW PARTS DIAGRAM



The chemical process industry (CPI) type seal has VITON elastomers and a special high grade carbon face for better service in chemical applications.

DISTRIBUTED BY:

(Printed in U.S.A.)

F.O.B. Lancaster, PA

NOTE: All specifications, as shown, are subject of change without previous notice
Minimum Order: \$25.00

Terms: Net 30 Days

*servicing
industry
worldwide*

PACER® PUMPS

Div. of ASM Industries, Inc.

41 Industrial Circle
Lancaster, PA 17601-5927
Email: sales@pacerpumps.com

717-925-8240
800-233-3861
FAX: 717-925-8242

"G" PUMP PARTS LIST

ITEM#	PART #	GROUP	DESCRIPTION	QTY./PUMP	ITEM#	PART #	GROUP	DESCRIPTION	QTY./PUMP
2	58-1801 20		BODY, pump, NORYL, NPT	1	28	58-1822 71		O-RING, volute, BUNA-N	1
	58-1821 20		BODY, pump, NORYL, BSP	1		58-1822 72		O-RING, volute, EPDM	1
	58-1801 60		BODY, pump, RYTON, NPT	1		58-1822 73		O-RING, volute, VITON	1
3	58-1838 10		SCREW, body to motor, or pedestal 3/8-16 x 7/8", stainless steel	4	29	58-0976 71		O-RING, seal, BUNA-N	1
	58-1838 91		SCREW, body to motor, or pedestal 3/8-16 x 7/8", Hastelloy C	4		58-0976 72		O-RING, seal, EPDM	1
	58-1838 93		SCREW, body to motor, or pedestal 3/8-16 x 7/8", Titanium	4		58-0976 73		O-RING, seal, VITON	1
4	58-1245 71		O-RING, screw plug, BUNA-N	4	29	58-0714 11	**	SEAL, shaft, BUNA-N, 316 stainless steel, carbon ceramic	1
	58-1245 72		O-RING, screw plug, EPDM	4		58-0714 12	**	SEAL, shaft, EPDM, 316 stainless steel, carbon ceramic	1
	58-1245 73		O-RING, screw plug, VITON	4		58-0714 14	**	SEAL, shaft, VITON, 316 stainless steel, carbon ceramic	1
5	58-1833 20		PLUG, screw protector, gray NORYL, NORYL pumps only	4		58-0714 15	**	SEAL, shaft, Hast C/teflon/silicon carbide	1
	58-1833 90		PLUG, screw protector, white, ECTFE, RYTON pumps only	4		58-0714 92 SG		SEAL, shaft, Non-metallic, ETFE, EPDM, siliconized graphite	1
6	58-1841 11		SHIM, impeller, .006" as required			58-0714 94 SG		SEAL, shaft, Non-metallic, ETFE, VITON, siliconized graphite	1
	58-1841 12		SHIM, impeller, .015" as required			58-46250 11	**	SEAL, shaft, 316 stainless steel/BUNA-N/ siliconized graphite	1
	58-1841 13		SHIM, impeller, .030" as required			58-46250 12	**	SEAL, shaft, 316 stainless steel/EPDM/ siliconized graphite	1
7	58-1804 20	C	VOLUTE, NORYL, for 619 impeller	1		58-46250 13	**	SEAL, shaft, 316 stainless steel/VITON/ siliconized graphite	1
	58-2104 20	A	VOLUTE, NORYL, for 617 impeller	1	32	58-1835 10		SCREW, volute, #10-16 x 3/4" stainless steel	4
	58-2109 20	B	VOLUTE, NORYL, for 618 impeller	1		58-1348 91		SCREW, volute, #10-16 x 3/4" Hastelloy C	4
	58-1802 20	D	VOLUTE, NORYL, for 620 impeller	1		58-1348 93		SCREW, volute, #10-16 x 3/4" Titanium	4
	58-2110 20	E	VOLUTE, NORYL, for 621 impeller	1	33	58-0617 20	A	IMPELLER, NORYL, (# on part), keyed shaft	1
	58-1804 60	C	VOLUTE, RYTON, for 619 impeller	1		58-0618 20	B	IMPELLER, NORYL, (# on part), keyed shaft	1
	58-2104 60	A	VOLUTE, RYTON, for 617 impeller	1		58-0619 20	C	IMPELLER, NORYL, (# on part), keyed shaft	1
	58-2109 60	B	VOLUTE, RYTON, for 618 impeller	1		58-0620 20	D	IMPELLER, NORYL, (# on part), keyed shaft	1
	58-1802 60	D	VOLUTE, RYTON, for 620 impeller	1		58-0621 20	E	IMPELLER, NORYL, (# on part), keyed shaft	1
	58-2110 60	E	VOLUTE, RYTON, for 621 impeller	1		58-0617 60	A	IMPELLER, RYTON, (# on part), keyed shaft	1
8A	58-1812 71	A,B,C,D,E	O-RING, segment, BUNA-N, left	1		58-0618 60	B	IMPELLER, RYTON, (# on part), keyed shaft	1
	58-1812 72	A,B,C,D,E	O-RING, segment, EPDM, left	1		58-0619 60	C	IMPELLER, RYTON, (# on part), keyed shaft	1
	58-1812 73	A,B,C,D,E	O-RING, segment, VITON, left	1		58-0620 60	D	IMPELLER, RYTON, (# on part), keyed shaft	1
8B	58-1813 71	A,B,C	O-RING, segment, BUNA-N, right	1		58-0621 60	E	IMPELLER, RYTON, (# on part), keyed shaft	1
	58-1813 72	A,B,C	O-RING, segment, EPDM, right	1	34	58-1888 10		SCREW, impeller, stainless steel, 1/4-28x5/8"	1
	58-1813 73	A,B,C	O-RING, segment, VITON, right	1		58-1888 61		SCREW, impeller, RYTON encapsulated, 1/4-28 x 7/16"	1
	58-1814 71	D,E	O-RING, segment, BUNA-N, right	1		58-1888 91		SCREW, impeller, Hastelloy C, 1/4-28 x 5/8"	1
	58-1814 72	D,E	O-RING, segment, EPDM, right	1		58-1888 93		SCREW, impeller, Titanium, 1/4-28 x 5/8"	1
	58-1814 73	D,E	O-RING, segment, VITON, right	1	35	58-1845 71		O-RING, impeller screw, BUNA-N	1
9	58-1818 20		COVER, strainer, NORYL	1		58-1845 72		O-RING, impeller screw, EPDM	1
	58-1818 60		COVER, strainer, RYTON	1		58-1845 73		O-RING, impeller screw, VITON	1
	58-1818 90		COVER, strainer, clear POLYCARB	1	36	58-1824 71		O-RING, body to motor or pedestal, BUNA-N4	1
10	58-1820 71		O-RING, strainer cover, BUNA-N	1		58-1824 72		O-RING, body to motor or pedestal, EPDM	4
	58-1820 72		O-RING, strainer cover, EPDM	1		58-1824 73		O-RING, body to motor or pedestal, VITON	4
	58-1820 73		O-RING, strainer cover, VITON	1	45	58-1955 71		SEAL, LIP, BUNA-N, .710" ID	2
11	58-1819 10		HANDLE, basket strainer, S.S.	1		58-1955 73		SEAL, LIP, VITON, .710" ID	2
	58-1819 90		HANDLE, basket strainer, Teflon coated stainless steel	1	48	58-1951 90		PEDESTAL, bearing, cast iron	1
12	58-1809 40		BASKET STRAINER, Polypropylene, NORYL pumps only	1	49	58-1954 90		BEARING, ball, .787" ID	2
	58-1809 90		BASKET STRAINER, ECTFE, RYTON pumps only	1	50	58-1957 10		SHAFT, 5/8" x 3/4", keyed stainless steel	1
13	58-1816 20		HOUSING, basket strainer, NORYL, NPT	1		58-1957 93		SHAFT, 5/8" x 3/4", keyed Titanium	1
	58-1817 20		HOUSING, basket strainer, NORYL, BSP	1	51	58-1953 10		PLATE, end, stainless steel	1
	58-1816 60		HOUSING, basket strainer, RYTON, NPT	1	57	58-1956 10		SHIM, stainless steel as required	
14	58-1039 10		SCREW, strainer housing, 1/4"-20 x 1-5/8" stainless steel	10	58	58-2525 10		SCREW, hex, 1/4"-20 x 3/4" stainless steel	4
15	58-1858 71		O-RING, volute plate, BUNA-N	1	59	58-1950 02		PEDESTAL, assembly includes items 45, 48, 49, 50, 51, 57 & 58	1
	58-1858 72		O-RING, volute plate, EPDM	1		58-1950 02H		PEDESTAL, assembly with Hastelloy shaft, includes items 45, 58, 49, 50, 51, 57 & 58	1
	58-1858 73		O-RING, volute plate, VITON	1		58-1950 02T		PEDESTAL, assembly with Titanium shaft, includes items 45, 58, 49, 50, 51, 57 & 58	1
16	58-1831 20		VOLUTE PLATE, NORYL, flat	1	60	58-2108 90B		VOLUTE SCREW PLUG, Teflon w/BUNA-N o-ring, for pumps with non-metallic solution contact only	4
	58-1803 21		VOLUTE PLATE, Noryl rubber lined BUNA-N	1		58-2108 90L		VOLUTE SCREW PLUG, Teflon w/EPDM o-ring, for pumps with non-metallic solution contact only	4
	58-1803 22		VOLUTE PLATE, Noryl rubber lined EPDM	1		58-2108 90V		VOLUTE SCREW PLUG, Teflon w/VITON o-ring, for pumps with non-metallic solution contact only	4
	58-1831 90		VOLUTE PLATE, White, ECTFE, flat, RYTON pumps only	1	61	58-1283 90		GASKET, Teflon Gor-Tex, RYTON pumps only	1
17	58-1846 40		BASEPLATE, Polypropylene	1	62	58-0926 01		MOTOR, pneumatic	1
18	58-0934 10		STRAP, stainless steel, motor, retaining	1	63	58-0929		BASEPLATE, pneumatic motor, painted steel	1
19	58-1825 90		SADDLE, for 5-1/2" diameter electric motor	1	64	58-0794		SHIM, .062", plated steel	8
	58-1828 90		SADDLE, for 6-5/8" diameter electric motor	1	65	58-0779 90		SPACER, 5/8", nylon	4
20	58-1847 71		PAD, saddle, rubber	1	66	58-2167		SCREW, 5/16-18 x 1-1/2", plated steel	4
21	58-1834 71		SLINGER, BUNA-N	1					
22	58-0721 10		NUT, hex, body, stainless steel 1/4"-20	1					
23	58-0745		KEPNUT, 5/16"-18, plated steel as required	1					
24	58-0730		WASHER, flat 5/16", plated steel	2					
25	58-0729		SCREW, 5/16"-18 x 1", plated steel	2					
26	58-0723 20		PLUG, drain, gray NORYL	2					
	58-0723 60		PLUG, drain, brown RYTON	2					
27	58-1009 71		O-RING, drain plug, BUNA-N	2					
	58-1009 72		O-RING, drain plug, EPDM	2					
	58-1009 73		O-RING, drain plug, VITON	2					

*GROUP Three item numbers are listed with a letter in the "GROUP" column. The parts listed under each item number are very similar but differ in detail. Only certain combinations of these parts are suitable for proper operation of the pump. Do not mix GROUPS. A simplified chart follows. START WITH THE IMPELLER AND THEN MATCH THE OTHER PARTS TO IT.

**** Standard seals listed here. Consult factory for latest developments in shaft seal technology.**

GROUP	IMPELLER	VOLUTE	O-RING SEGMENTS (2 per pump)
A	58-0617	58-2104	58-1812 and 58-1813
B	58-0618	58-2109	58-1812 and 58-1813
C	58-0619	58-1804	58-1812 and 58-1813
D	58-0620	58-1802	58-1812 and 58-1814
E	58-0621	58-2110	58-1812 and 58-1814