



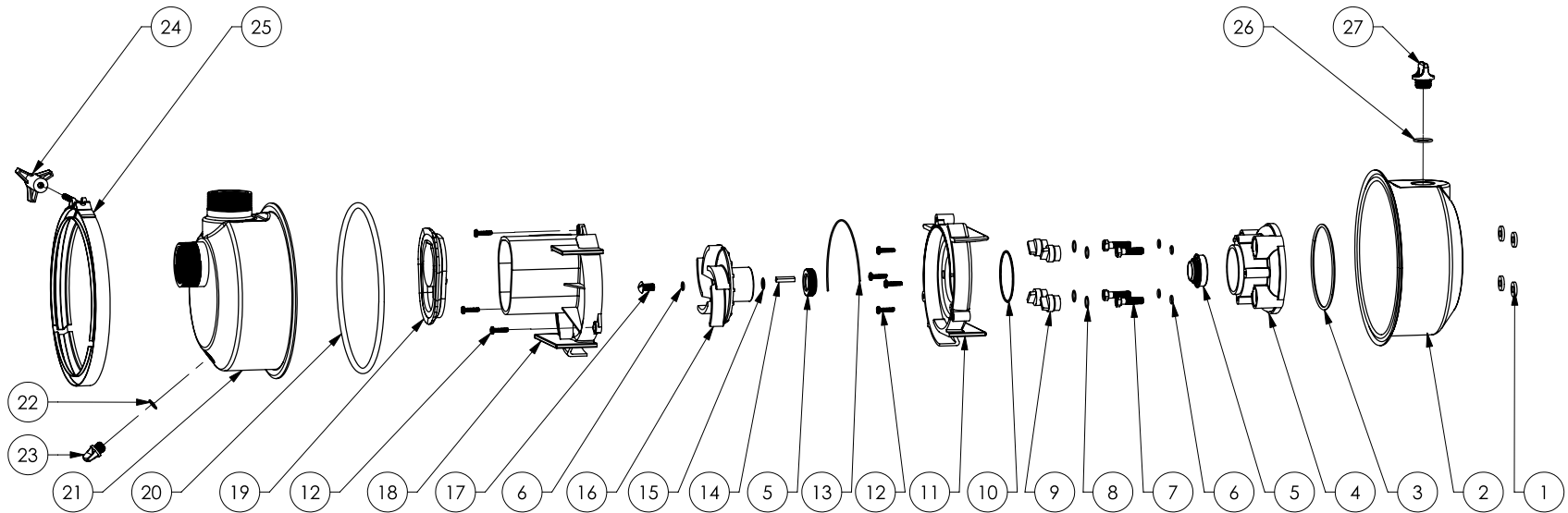
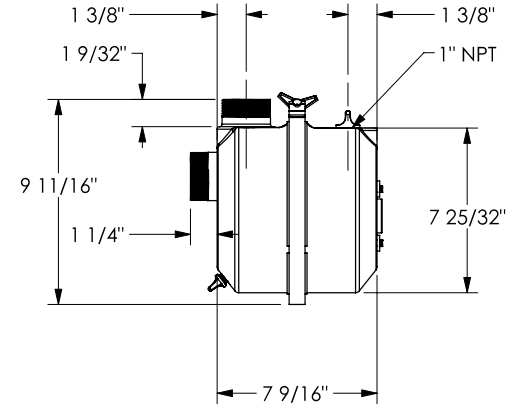
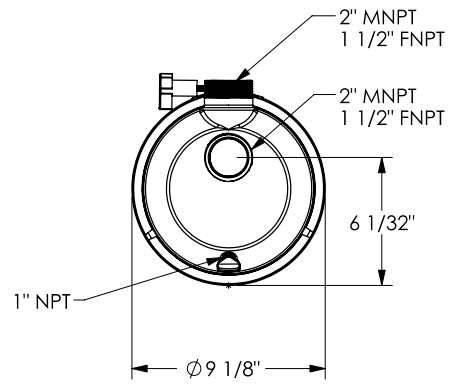
# 2" Self-Priming Centrifugal Pump for Potable Water

3/25/2020

Model: IPW2WL

Price Code: P-57-12W4

Driver: Pump End Only





## 2" Self-Priming Centrifugal Pump for Potable Water

**Model: IPW2WL**

**Price Code: P-57-12W4**

**Driver: Pump End Only**

NO.	DESCRIPTION	QTY	PART NO.
1	Spacer PET	4	58-1244-30
2	Body, rear SS 316	1	58-1308-10
3	Support O-Ring EPDM	1	58-1361-72N
4	Support PP	1	58-1301-40N
5	2pc. Shaft Seal EPDM, SS 316, carbon/ceramic .75"	1	58-0714-14N
6	Volute Screw EPDM O-Ring	5	58-0717-72N
7	Support Screw SS 5/16-24x1 1/4"	4	58-0715-10
8	Support Screw PP Plug O-Ring	4	58-1245-72N
9	Support Screw PP Plug	4	58-1233-40N
10	Rear Volute EPDM O-Ring	1	58-1203-72N
11	Volute, rear PP	1	58-1302-40N
12	Volute Screw SS #10x3/4"	7	58-1348-10
13	O-Ring Segment EPDM	1	58-1246-72N
14	Shaft Key SS 3/16" SQ. x 15/16" Long	1	58-0718-10
15	Shim SS .006" .015" .030"	As req.	58-0778-11 58-0778-12 58-0778-13
16	Impeller PP	1	58-0683-40N
17	Impeller Screw SS 316 5/16"-24x.75"	1	58-0716-10
18	Volute, front PP Flat	1	58-1303-40N
19	Check Valve EPDM	1	58-1872-72N
20	Body O-Ring EPDM	1	58-1312-72N
21	Body, front SS 316	1	58-2012-10
22	Drain Plug EPDM O-Ring	1	58-1009-72N
23	Drain Plug PP	1	58-0723-40N
24	V-Band Knob	1	58-1282-90
25	V-Band Clamp SS	1	58-1280-01
26	Filler Plug EPDM O-Ring	1	58-0765-72N
27	Filler Plug PP	1	58-0722-40N