

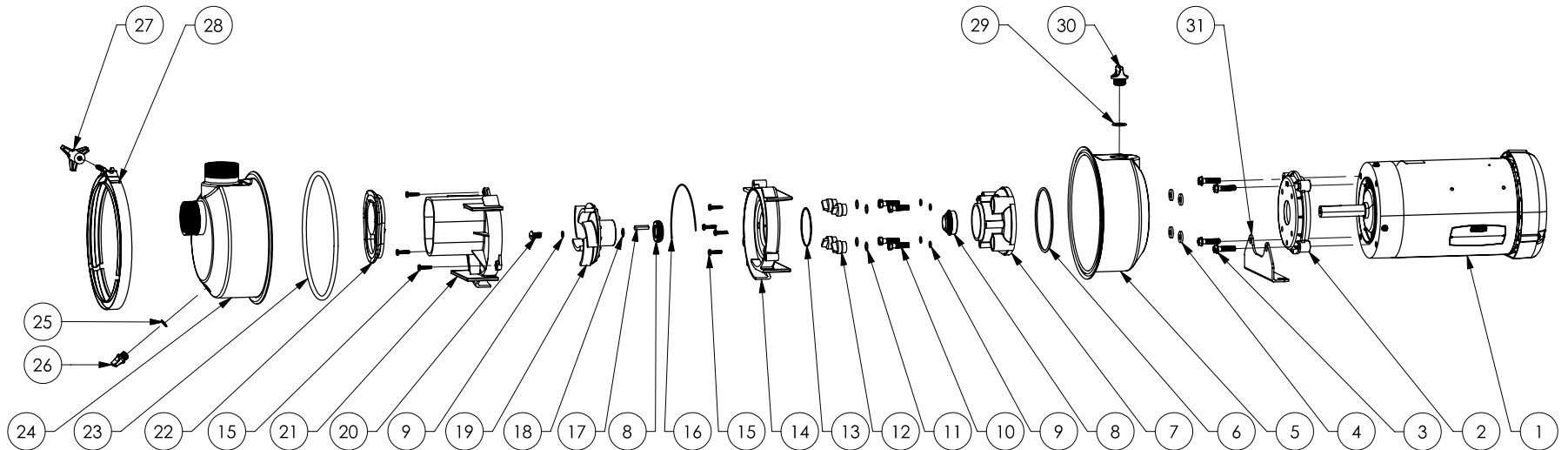
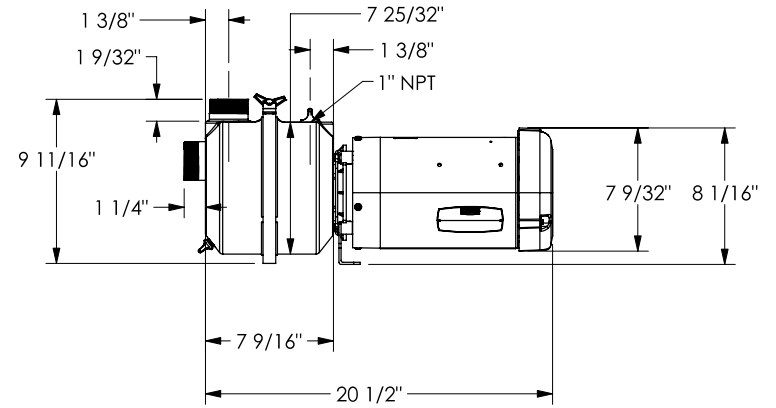
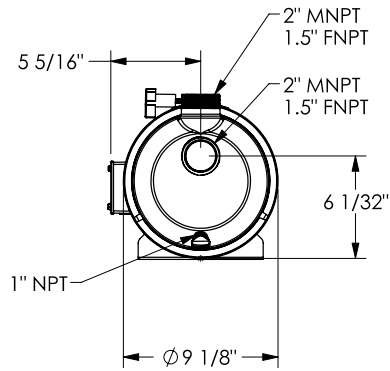


# 2" Self-Priming Centrifugal Pump for Potable Water

Model: IPW2WL-D3.0C

Price Code: P-57-12W4-D3.0C

Driver: Leeson 60 Hz Electric Motor (3 HP) Three Phase





## 2" Self-Priming Centrifugal Pump for Potable Water

Model: IPW2WL-D3.0C

Price Code: P-57-12W4-D3.0C

Driver: Leeson 60 Hz Electric Motor (3 HP) Three Phase

NO.	DESCRIPTION	QTY	PART NO.
1	Leeson 3 HP Electric Motor 3Φ	1	58-62-1263
2	C-Face Adapter PPE	1	58-1010-20A
3	Mounting Screw SS 5/16-24x1 1/4"	4	58-1015-10
4	Spacer PET	4	58-1244-30
5	Body, rear SS 316	1	58-1308-10
6	Support O-Ring EPDM	1	58-1361-72N
7	Support PP	1	58-1301-40N
8	Shaft Seal EPDM, SS 316, carbon/ceramic .75"	1	58-0714-12N
9	Support Screw EPDM Plug O-Ring	4	58-1245-72N
10	Support Screw SS 5/16-24x1 1/4"	4	58-2167-10
11	Support Screw PP Plug	4	58-1233-40N
12	Rear Volute EPDM O-Ring	1	58-1203-72N
13	Volute, rear PP	1	58-1302-40N
14	Volute Screw EPDM O-Ring	5	58-0717-72N
15	Volute Screw SS #10x3/4"	7	58-1348-10
16	O-Ring Segment EPDM	1	58-1246-72N
17	Shaft Key SS 3/16" SQ. x 15/16" Long	1	58-0718-10
18	Shim SS .006" .015" .030"	As req.	58-0778-11 58-0778-12 58-0778-13
19	Impeller PP	1	58-0683-40N
20	Impeller Screw SS 316 5/16"-24x.75"	1	58-0716-10
21	Volute, front PP Flat	1	58-1303-40N
22	Check Valve EPDM	1	58-1872-72N
23	Body O-Ring EPDM	1	58-1312-72N
24	Body, front SS 316	1	58-2012-10
25	Drain Plug EPDM O-Ring	1	58-1009-72N
26	Drain Plug PP	1	58-0723-40N
27	V-Band Knob	1	58-1282-90



## 2" Self-Priming Centrifugal Pump for Potable Water

**Model: IPW2WL-D3.0C**

**Price Code: P-57-12W4-D3.0C**

**Driver: Leeson 60 Hz Electric Motor (3 HP) Three Phase**

28	V-Band Clamp	SS	1	58-1280-01
29	Filler Plug O-Ring	EPDM	1	58-0765-72N
30	Filler Plug	PP	1	58-0722-40N
31	Electric Motor Bracket	SS 316	1	58-2100