



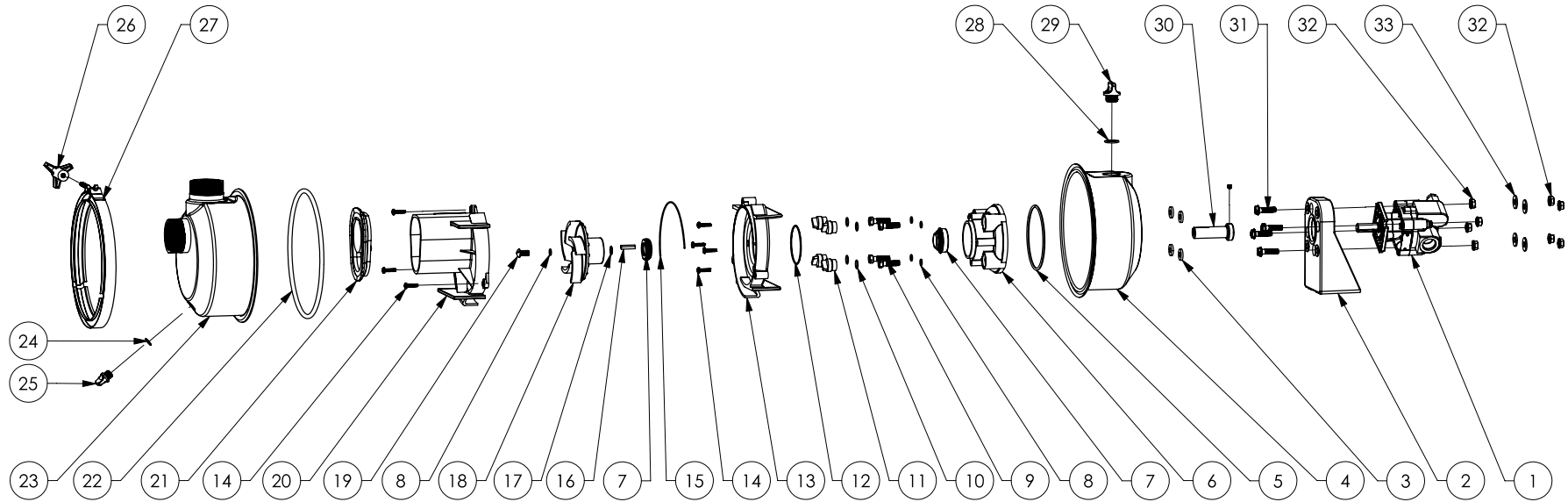
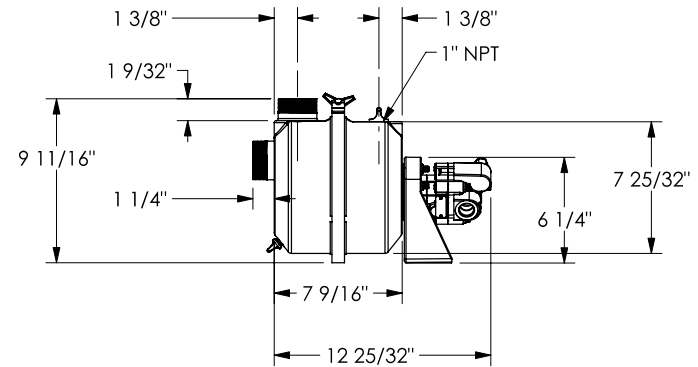
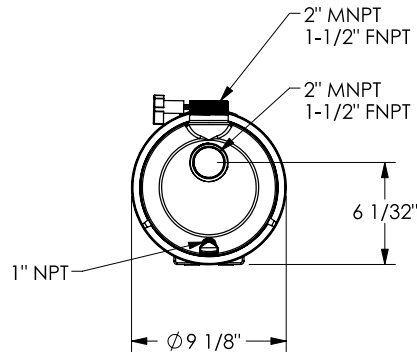
# 2" Self-Priming Centrifugal Pump for Potable Water

4/13/2020

Model: IPW2WL-HYC

Price Code: P-57-12W4-HYC

Driver: Parker Hydraulic Motor





## 2" Self-Priming Centrifugal Pump for Potable Water

**Model: IPW2WL-HYC**

**Price Code: P-57-12W4-HYC**

**Driver: Parker Hydraulic Motor**

| NO. | DESCRIPTION                                       | QTY     | PART NO.                               |
|-----|---|---------|--|
| 1   | Hydraulic Motor                                   | 1       | 58-0686                                |
| 2   | Motor Pedestal PPE                                | 1       | 58-1011-20                             |
| 3   | Spacer PET  | 4       | 58-1244-30                             |
| 4   | Body, rear SS 316                                 | 1       | 58-1308-10                             |
| 5   | Support O-Ring EPDM                               | 1       | 58-1361-72N                            |
| 6   | Support PP  | 1       | 58-1301-40N                            |
| 7   | 2pc. Shaft Seal EPDM, SS 316, carbon/ceramic .75" | 1       | 58-0714-12N                            |
| 8   | Volute Screw O-Ring EPDM                          | 5       | 58-0717-72N                            |
| 9   | Support Screw SS 5/16-24x1 1/4"                   | 4       | 58-2167-10                             |
| 10  | Support Screw Plug O-Ring EPDM                    | 4       | 58-1245-72N                            |
| 11  | Support Screw Plug PP                             | 4       | 58-1233-40N                            |
| 12  | Rear Volute O-Ring EPDM                           | 1       | 58-1203-72N                            |
| 13  | Volute, rear PP                                   | 1       | 58-1302-40N                            |
| 14  | Volute Screw SS #10x3/4"                          | 7       | 58-1348-10                             |
| 15  | O-Ring Segment EPDM                               | 1       | 58-1246-72N                            |
| 16  | Shaft Key SS 3/16" SQ. x 15/16" Long              | 1       | 58-0718-10                             |
| 17  | Shim SS .006"<br>.015"<br>.030"                   | As req. | 58-0778-11<br>58-0778-12<br>58-0778-13 |
| 18  | Impeller PP                                       | 1       | 58-0683-40N                            |
| 19  | Impeller Screw SS 316 5/16"-24x.75"               | 1       | 58-0716-10                             |
| 20  | Volute, front PP Flat                             | 1       | 58-1303-40N                            |
| 21  | Check Valve EPDM                                  | 1       | 58-1872-72N                            |
| 22  | Body O-Ring EPDM                                  | 1       | 58-1312-72N                            |
| 23  | Body, front SS 316                                | 1       | 58-2012-10                             |
| 24  | Drain Plug O-Ring EPDM                            | 1       | 58-1009-72N                            |
| 25  | Drain Plug PP                                     | 1       | 58-0723-40N                            |
| 26  | V-Band Knob                                       | 1       | 58-1282-90                             |
| 27  | V-Band Clamp SS                                   | 1       | 58-1280-01                             |



## 2" Self-Priming Centrifugal Pump for Potable Water

**Model: IPW2WL-HYC**

**Price Code: P-57-12W4-HYC**

**Driver: Parker Hydraulic Motor**

|    |                                 |      |  |   |             |
|----|---------------------------------|------|--|---|-------------|
| 28 | Filler Plug<br>O-Ring           | EPDM |  | 1 | 58-0765-72N |
| 29 | Filler Plug                     | PP   |  | 1 | 58-0722-40N |
| 30 | Shaft Adapter<br>and Set Screws | SS   | $\varnothing .75 \times 2.7$ , $\varnothing .563$ Bore | 1 | 58-1165-10A |
| 31 | Mounting Screw                  | SS   | 5/16-18x1.0  | 4 | 58-0729-10  |
| 32 | Hex Nut                         | SS   | 5/16-18  | 4 | 58-0745-10  |
| 33 | Washer                          | SS   | 5/16   | 4 | 58-0730-10  |