



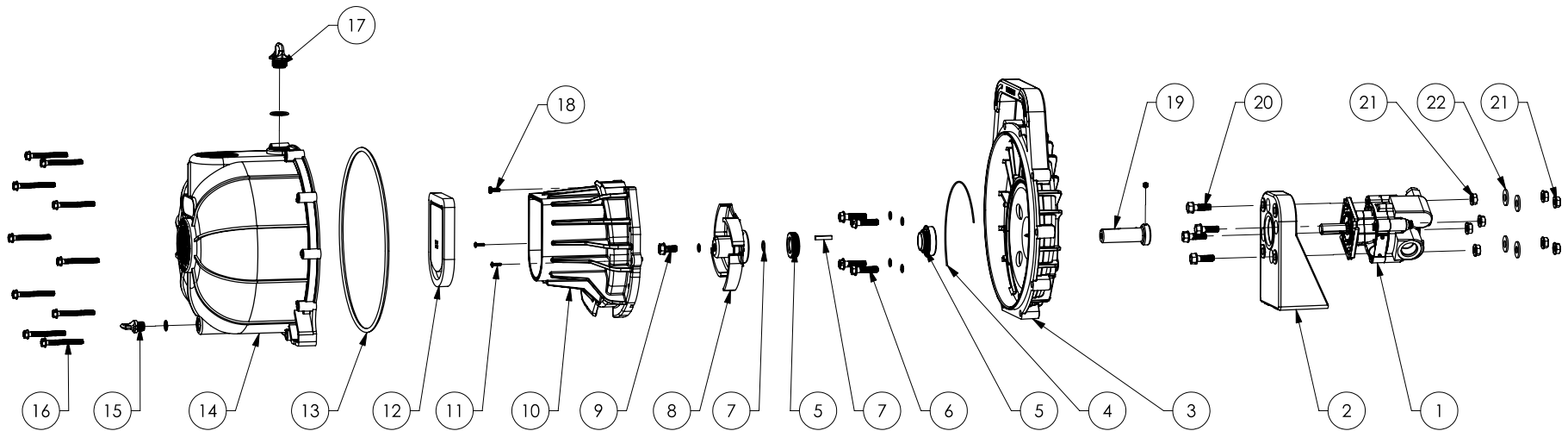
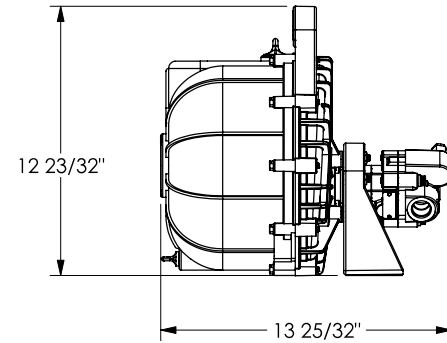
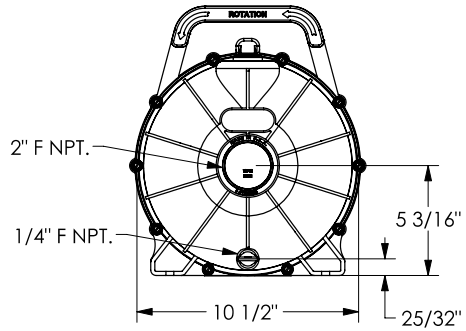
4/20/2020

# 2" Self-Priming Centrifugal Pump

Model: SE2FB-HYC

Price Code: P-58-12F2-HYC

Driver: Hydraulic Motor





## 2" Self-Priming Centrifugal Pump

**Model: SE2FB-HYC**

**Price Code: P-58-12F2-HYC**

**Driver: Hydraulic Motor**

NO.	DESCRIPTION	QTY	PART NO.
1	Hydraulic Motor	1	58-0686-01
2	Motor Pedestal PPE	1	58-1011-20
3	Bracket PET	1	58-0703-30B
4	O-Ring Segment Buna-N	1	58-0754-71
5	Shaft Seal Buna-N, SS 316, carbon/ceramic 3/4"	1	58-0714-11
6	Bracket Screw and O-Ring SS Buna-N 5/16-24x1 1/4"	4	58-0715-11
7	Key & Shim SS 3/16" Square x 15/16" Long	1	58-0778S
8	Impeller PET 3 Vane, .535" Wide, ø5.5"	1	58-0704-30
9	Impeller Screw and O-Ring SS Buna-N 5/16-24x3/4"	1	58-0716-11
10	Volute Flat PET	1	58-0702-30
11	Volute Side Screw SS 6-CCx1/2"	2	58-0725-10
12	Check Valve Buna-N	1	58-0705-71
13	Body O-Ring Buna-N	1	58-0719-71
14	Body PET, black 2" F NPT.	1	58-1002-30B
15	Drain Plug and O-Ring PET Buna-N	1	58-0723-31
16	Body Bolt SS 18-8 1/4-20x2.125"	10	58-1206-10
17	Filler Plug and O-Ring PET Buna-N	1	58-0722-31B
18	Volute Top Screw SS 10-24x1-1/2"	1	58-0771-10
19	Shaft Adapter & Set Screws SS ø .75x2.7, ø .563 Bore	1	58-1165-10A
20	Mounting Screw SS	4	58-0729-10
21	Hex Nut SS 5/16-18	4	58-0745-10
22	Washer SS 5/16	4	58-0730-10