



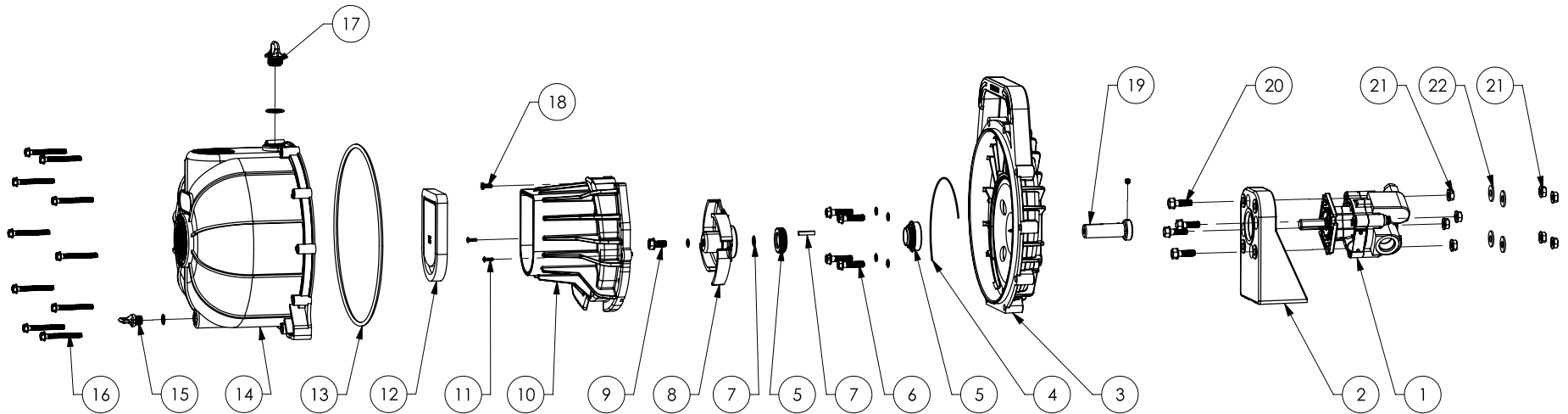
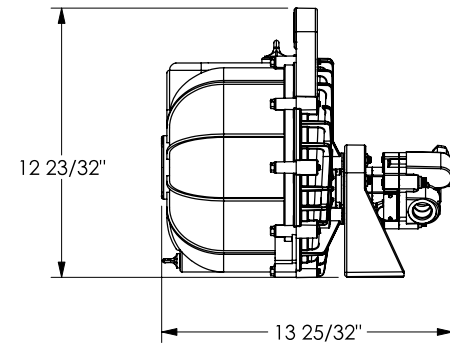
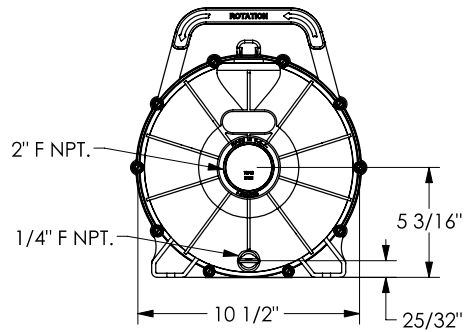
2" Self-Priming Centrifugal Pump

7/30/2019

Model: SE2JL-HYC

Price Code: P-58-12J4 HYC

Driver: Hydraulic Motor





2" Self-Priming Centrifugal Pump

Model: SE2JL-HYC

Price Code: P-58-12J4 HYC

Driver: Hydraulic Motor

NO.	DESCRIPTION	QTY	PART NO.
1	Hydraulic Motor	1	58-0686
2	Motor Pedestal PPE	1	58-1011-20
3	Bracket PET	1	58-0703-30B
4	O-Ring Segment EPDM	1	58-0754-72
5	Shaft Seal EPDM, SS 316, carbon/ceramic 3/4"	1	58-0714-12
6	Bracket Screw SS 5/16-18x1.5 and O-Ring	4	58-2167-12
7	Key & Shim SS 3/16" Square x 15/16" Long	1	58-0778S
8	Impeller PET 4 Vane, .535" Wide, ø5.5"	1	58-0975-30
9	Impeller Screw SS 5/16-24x3/4" and O-ring	1	58-0716-12
10	Volute Flat PET	1	58-0977-30
11	Volute SS 6-CCx1/2" Side Screw	2	58-0725-10
12	Check Valve EPDM	1	58-0705-72
13	Body O-Ring EPDM	1	58-0719-72
14	Body PET, black 2" F NPT.	1	58-1002-30B
15	Drain Plug and O-Ring EPDM	1	58-0723-32
16	Body Bolt SS 18-8 1/4-20x2.125"	10	58-1206-10
17	Filler Plug EPDM and O-Ring	1	58-0722-32B
18	Volute Top Screw SS 10-24x1-1/2"	1	58-0997-10
19	Shaft Adapter SS ø .75x2.7, ø .563 Bore and Set Screws	1	58-1165-10A
20	Mounting Screw SS 5/16-18x1.0	4	58-0729-10
21	Hex Nut SS 5/16-18	4	58-0745-10
22	Washer SS 5/16	4	58-0730-10