

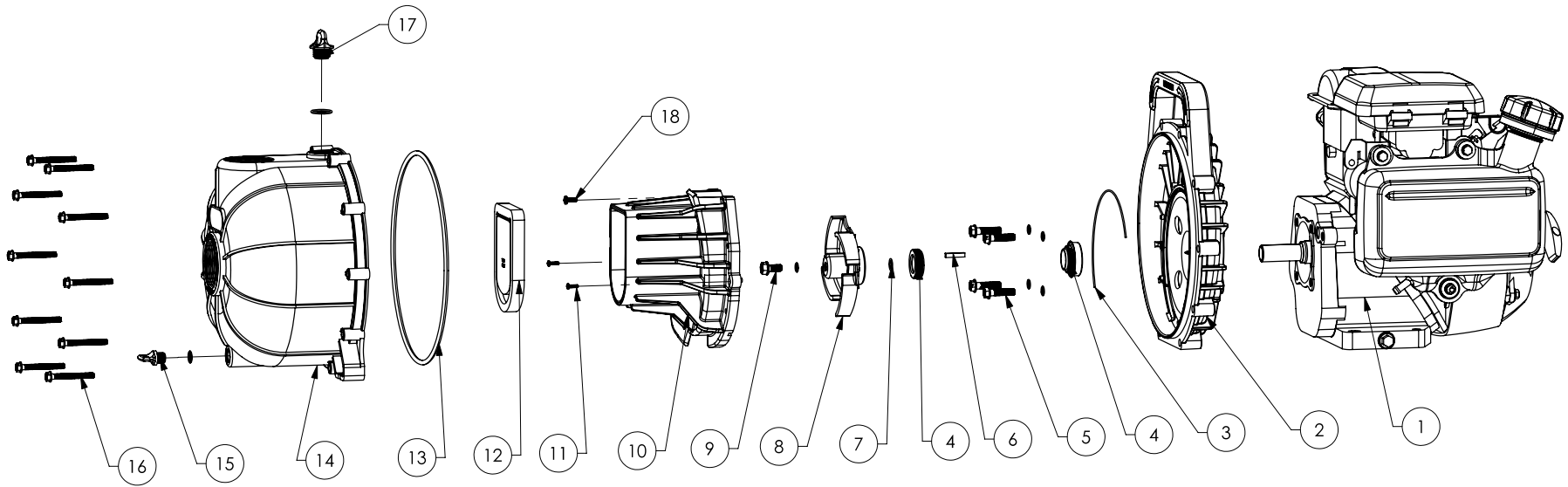
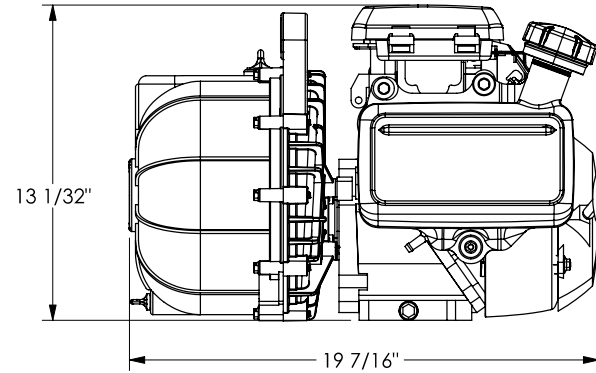
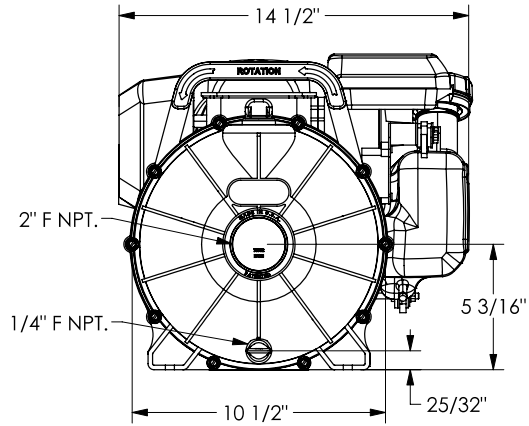


2" Self-Priming Centrifugal Pump

Model: SE2UL-E5HOC

Price Code: P-58-12U4-E5HOC

Driver: Honda GC Series 160cc





2" Self-Priming Centrifugal Pump

Model: SE2UL-E5HOC

Price Code: P-58-12U4-E5HOC

Driver: Honda GC Series 160cc

| NO. | DESCRIPTION | QTY | PART NO. | |
|-----|--|---------|-------------|------------|
| 1 | Gasoline Engine Honda GC Series 160cc | 1 | 58-0635-GC | |
| 2 | Bracket PET | 1 | 58-0703-30B | |
| 3 | O-Ring Segment EPDM | 1 | 58-0754-72 | |
| 4 | Shaft Seal EPDM, SS 316, carbon/ceramic 3/4" | 1 | 58-0714-12 | |
| 5 | Bracket Screw and O-Ring SS 5/16-24x1 1/4" | 4 | 58-0715-12 | |
| 6 | Key SS 3/16" Square x 15/16" Long | 1 | 58-0718-10 | |
| 7 | Shim SS | As Req. | 0.006" | 58-0778-11 |
| | | | 0.015" | 58-0778-12 |
| | | | 0.030" | 58-0778-13 |
| 8 | Impeller PET 5 Vane, .535" Wide, ø5.5" | 1 | 58-0706-30 | |
| 9 | Impeller Screw and O-ring SS 5/16-24x3/4" | 1 | 58-0716-12 | |
| 10 | Volute Flat PET | 1 | 58-0702-30 | |
| 11 | Volute Side Screw SS 6-CCx1/2" | 2 | 58-0725-10 | |
| 12 | Check Valve EPDM | 1 | 58-0705-72 | |
| 13 | Body O-Ring EPDM | 1 | 58-0719-72 | |
| 14 | Body PET, black 2" F NPT. | 1 | 58-1002-30B | |
| 15 | Drain Plug and O-Ring EPDM | 1 | 58-0723-32 | |
| 16 | Body Bolt SS 18-8 1/4-20x2.125" | 10 | 58-1206-10 | |
| 17 | Filler Plug and O-Ring EPDM | 1 | 58-0722-32B | |
| 18 | Volute Top Screw SS 10-24x1-1/2" | 1 | 58-0771-10 | |